

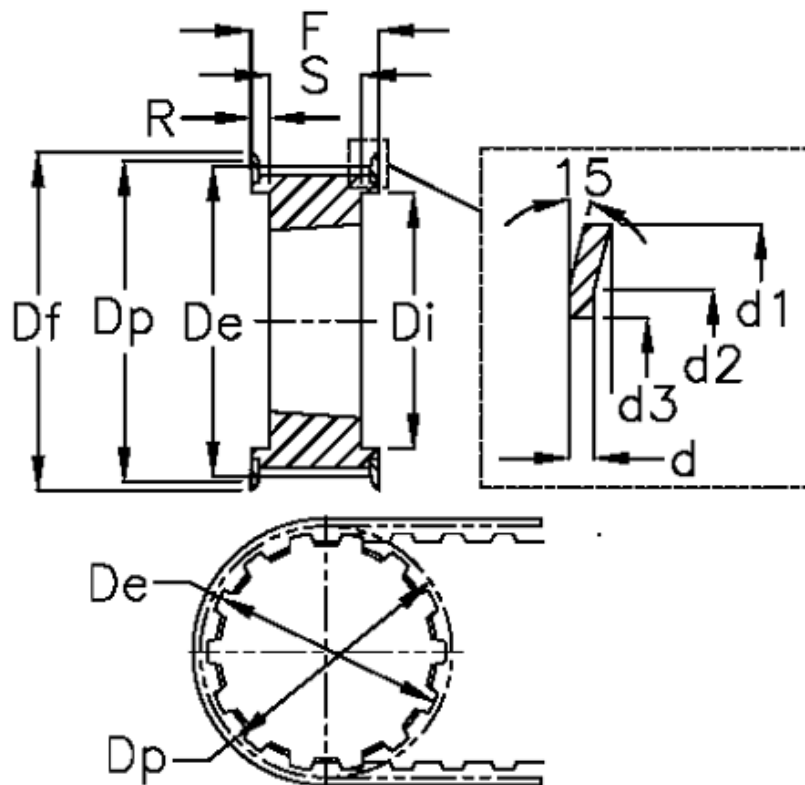
Data Sheet



Article number: 604132044085

Description: Taper bored timing belt pulley
HTD 44 8M 85 TL 2012

Measures



d = 1.5	F = 95	Weight = 2.3
d1 = 120	Flange type = F38	Width = 85
d2 = 112.5	For bushing = 2012	
d3 = 99.5	Max bore = 50	
De = 110.67	r = 31.5	
Df = 120	S = 32	
Di = 91	Tooth number = 44	
Dp = 112.05	Type = 8M	